

# DQTS Auto Adjusting Speed Resistors , Blower Motor Resistors

TYPE:DQTS Series  
TYPE: DQTS-D Series (with plastic base )  
TYPE: Others Series  
Power Rating: 20-100W  
Resistance value: 0.1Ω-0.86Ω  
Resistance tolerance: ±5%, ±10%



## ● Construction:

1. Zenithsun is the first adjusting speed resistors manufacturer who produce a full range shapes series including round ceramic tube resistor, flat ceramic tube resistor , square ceramic resistor , aluminum tube series resistor, aluminum enclosure series resistor ,ect 30series. Used for Japanese ,USA, German, ect vehicle models.
2. As ceramic tube as matrix to sure great dissipation, Chromium alloy resistance element is wound on the ceramic tube by scientific project standard and the rigorous technique.
3. Terminal bands are spot welded after installation on the core to ensure excellent resistance shock and high stability.
4. Then, the resistance element is coated with non-flammable resin to improve resistor life.

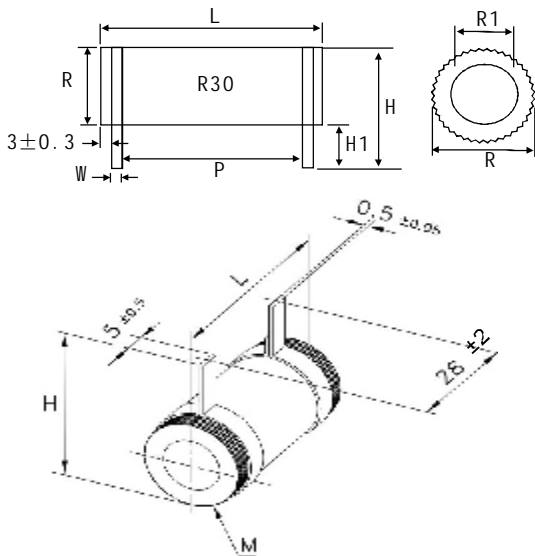
## ● Features:

1. According to installation environment, the different plastic bottom seat are available for convenience installation.
2. The resistor matrix sharps (like round , flat and square) are different for the installation environment and custom special applications.
3. Different resistance is on the same resistor are available.
4. Automobile resistors are often called blower motor resistor, auto speed resistor and auto air condition speed resistor in books and catalogues .
5. Common spec.: R25, R30, R69, R24, R36, R56
6. For non-standard technical requirements and custom special applications, please contact us to discuss the details.

## ● Applications:

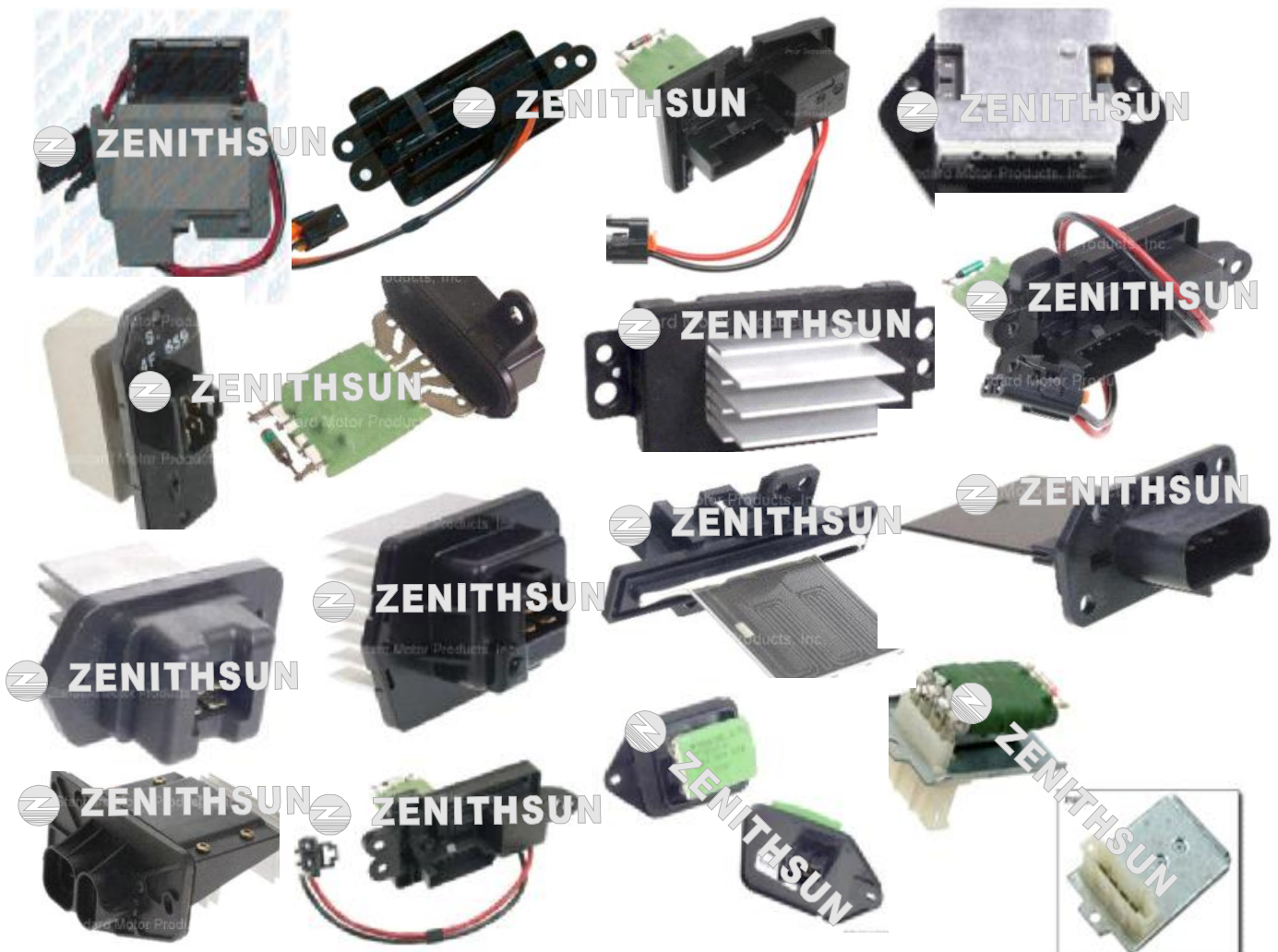
Widely used in the auto system industry.

### ● Dimensions



Characteristics	Data
L(mm)	39.5-42
M(mm)	19.5-22
H(mm)	30-33
W(mm)	4
	5
R1(mm)	12-14
H1(mm)	12-14
P(mm)	24-25
Nominal current Amp	6-15
Max current Amp	25-40
Max continuous power(Watt)	63-115
Resistance range(Ω)	0.3±10%

### ● Other Types

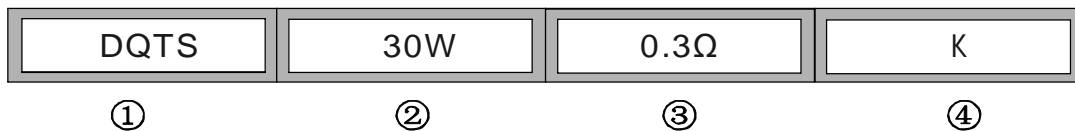




### ● Performance Specifications

TEST ITEM	TEST METHODS	CHARACTERISTICS
Resistance tolerance	JIS-C 5202 5-1	±5% , ±10%
Temperature coefficient	JIS-C 5202 5-2	250PPM°C MAX
Power rating load	JIS-C 5202 5-4 Power rating 60min	$\Delta R \leq \pm(1\%+0.1\Omega)$ Surface temperature up 400°C MAX
Short-term overload	JIS-C 5202 5-5 500%Power rating 5S	Free of appearance or structural irregularity $\Delta R \leq \pm(2\%+0.1\Omega)$
Insulation resistance	JIS-C 5202 5-6 500V DC	100 MΩ min
Dielectric withstanding voltage	JIS-C 5202 5-7 1000V DC 60S	Free of appearance or structural irregularity $\Delta R \leq \pm(0.1\%+0.05\Omega)$
Vibration	JIS-C 5202 6-3 1.5mm 10-50-10Hz min	Free of appearance or structural irregularity $\Delta R \leq \pm(1\%+0.05\Omega)$
Thermal shock	JIS-C 5202 7-3 Room temp 30°C, 30min ON, 55°C15min OFF	Resistor free of structural irregularity Surface coating crack $\Delta R \leq \pm(2\%+0.1\Omega)$
Humidity	JIS-C 5202 7-5 40°C±2°C, 90-95% RH, 240H	Free of appearance or structural irregularity $\Delta R \leq \pm(3\%+0.1\Omega)$
Load life	JIS-C 5202 7-10 Power rating 90min ON, 30min OFF, 500H	Free of appearance or structural irregularity $\Delta R \leq \pm(5\%+0.1\Omega)$
Flame retardation	JIS-C 5202 7-13 100-600% rated power, load 5min	US UL-94 flame retardation test V-0 grade noncombustible
Terminal strength	JIS -C 5202 6-1 3kg 30s	Free of appearance or structural irregularity

### ● How To Order



- ① Type: DQTS,DQTS-D
- ② Rated Power(W): 30W
- ③ Resistance Value(Ω):0.3Ω-10Ω
- ④ Tolerance(%):±5%,±10%